

GMP/KMP SERIES

GMP/KMP self-priming pump



GMP/KMP Series

GMP/KMP self-priming pump

Application

- Industrial water supply and drainage.
- Building site water supply and drainage.
- Irrigation and drainage for agricultural.
- Drainage for sewer and purifying tanks.
- Drainage for waste water treatment.

Features

- High efficiency, compact design, light weight, save space and easy to install.
- Using mechanical seal which no damage to shaft and life extension.
- Special construction for the pump casing, high self priming capability.
- With half open-type impeller which drainages waste water effectively.
- Only initial water-adding is required to save the trouble of continuously water-addings.

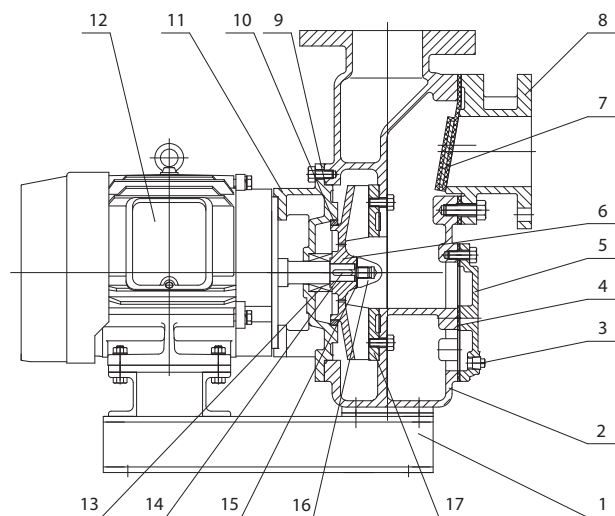
Type description

GMP - 3		1 - 50	
Outlet. diameter (mm)			
Rated power (hp)			
Phase			
GMP:	Coaxial volute pump		
KMP:	Coupling pump		

Construction

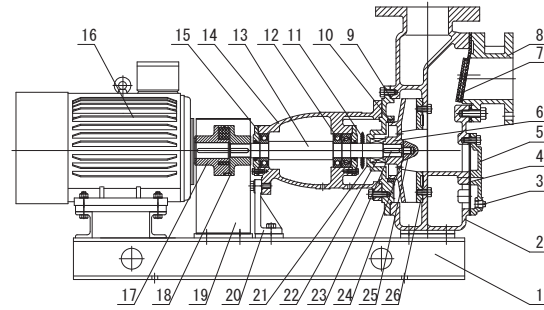
GMP

NO.	Name	Material	
		GB	JIS
1	Base	Q235A	SS400
2	Pump body	HT200	FC200
3	Plug	Q235A	SS400
4	Gaskets	NBR	NBR
5	Cover	HT200	FC200
6	Impeller	HT200	FC200
7	Check	NBR	NBR
8	Check base	HT200	FC200
9	O-ring	NBR	NBR
10	Seal ring	ZCuSn10Pb5	LBC2
11	Bracket	HT200	FC200
12	Motor	-	-
13	Mechanical seal	Sic-Sic	Sic-Sic
14	Key	3Cr13	SUS420J2
15	Lock washer	0Cr18Ni9	SUS304
16	Impeller nut	0Cr18Ni9	SUS304
17	Separator	HT200	FC200



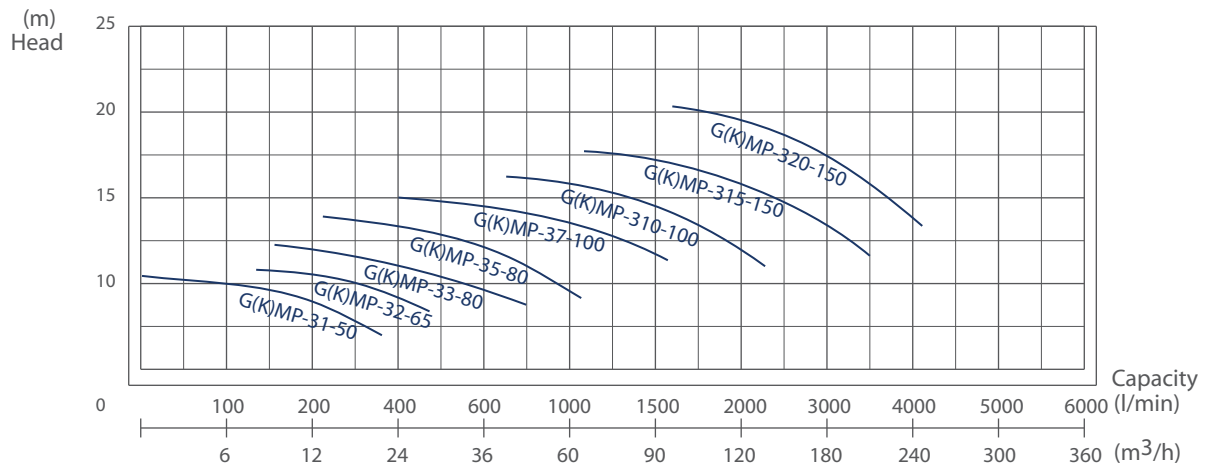
KMP

No.	Name	Material	
		GB	JIS
1	Base	Q235A	SS400
2	Pump body	HT200	FC200
3	Plug	Q235A	SS400
4	Gaskets	NBR	NBR
5	Cover	HT200	FC200
6	Impeller	HT200	FC200
7	Check	NBR	NBR
8	Check base	HT200	FC200
9	O-ring	NBR	NBR
10	Seal ring	ZCuSn10Pb5	LBC2
11	Block water ring	NBR	NBR
12	Bearing	-	-
13	Shaft	3Cr13	SUS420J2
14	Bearing body	HT200	FC200
15	Bearing cover	HT200	FC200
16	Motor	-	-



17	Motor coupling	HT200	FC200
18	Pump coupling	HT200	FC200
19	Coupling cover	Q235A	SS400
20	Bearing stand	HT200	FC200
21	Back cap	HT200	FC200
22	Mechanical seal	Sic-Sic	Sic-Sic
23	Key	3Cr13	SUS420J2
24	Lock washer	0Cr18Ni9	SUS304
25	Impeller nut	0Cr18Ni9	SUS304
26	Separator	HT200	FC200

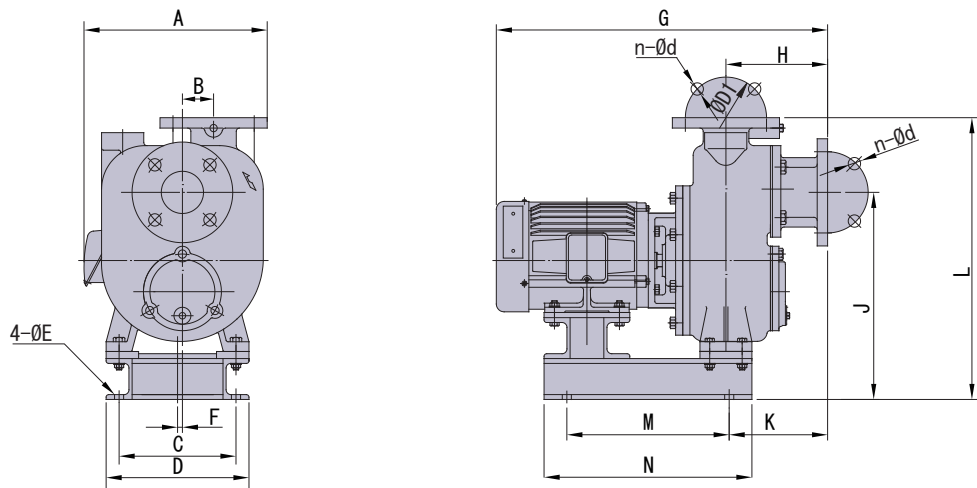
Performance chart



Performance parameters

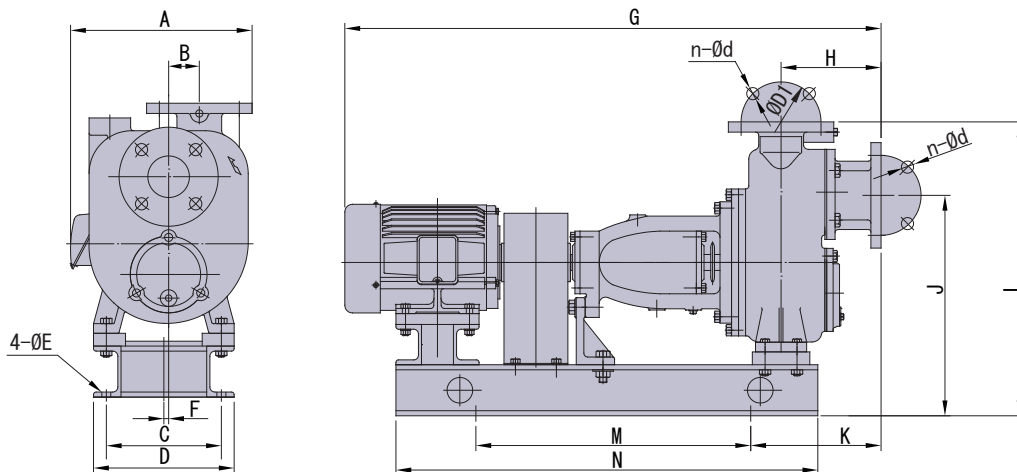
Pump model	Motor			Pump							Weight
	Power		Speed	Dia.		Head	Capacity		Eff.	Self-suction height	GMP/KMP
	hp	kW	r/min	mm	in	m	l/min	m ³ /h	(%)	m	kg
GMP-31-50 KMP-31-50	1	0.75	1450	50	2"	8	200	12	46	4.5	60/81
GMP-32-65 KMP-32-65	2	1.5	1450	65	2.5"	9	416	25	52	4.5	76/102
GMP-33-80 KMP-33-80	3	2.2	1450	80	3"	9	700	42	50	4.5	105/128
GMP-35-80 KMP-35-80	5	3.7	1450	80	3"	12	750	45	54	4.5	114/145
GMP-37-100 KMP-37-100	7	5.5	1450	100	4"	13	1200	72	52	4.5	175/262
GMP-310-100 KMP-310-100	10	7.5	1450	100	4"	14	1600	96	50	4.5	248/297
GMP-315-150 KMP-315-150	15	11	1450	150	6"	15	2400	144	67	5	306/346
GMP-320-150 KMP-320-150	20	15	1450	150	6"	18	2800	168	65	5	322/375

Installation dimensions



(mm)

Type	A	B	C	D	E	F	G	H	J	K	L	M	N	D1	n-Ød
GMP-31-50	282	48	180	215	15	7.5	510	156.5	319	151.5	434	250	320	125	4-Ø19
GMP-32-65	319.5	60	200	240	15	10	545.5	163	330	133.5	458	300	370	145	4-Ø19
GMP-33-80	352	60	240	275	15	12	617	174	345	145	508	350	420	160	8-Ø19
GMP-35-80	361	60	240	275	15	12	627	174	345	144	508	350	420	160	8-Ø19
GMP-37-100	434	40	280	320	15	20	727	205	446	175	630	400	470	180	8-Ø19
GMP-310-100	434	40	280	320	15	20	764.5	205	446	175	630	400	500	180	8-Ø19
GMP-315-150	547.5	120	360	400	19	22	933	260	561	264.5	805	450	587	240	8-Ø23
GMP-320-150	547.5	120	360	400	19	22	977	260	561	262	805	500	632	240	8-Ø23



(mm)

Type	A	B	C	D	E	F	G	H	J	K	L	M	N	D1	n-Ød
KMP-31-50	284	48	180	220	15	7.5	839	156.5	345	204	460	430	660	125	4-Ø19
KMP-32-65	319.5	60	200	240	15	10	874.5	163	350	216.5	478	480	720	145	4-Ø19
KMP-33-80	352	60	240	280	15	12	954	174	365	241	528	480	745	160	8-Ø19
KMP-35-80	361	60	240	280	15	12	974	174	365	241	528	480	755	160	8-Ø19
KMP-37-100	434	40	280	320	15	20	1159	205	471	279	655	600	900	180	8-Ø19
KMP-310-100	434	40	280	320	15	20	1199	205	471	259	655	600	940	180	8-Ø19
KMP-315-150	547.5	120	360	400	19	22	1368	260	561	327	805	700	1050	240	8-Ø23
KMP-320-150	547.5	120	360	400	19	22	1413	260	561	327	805	700	1090	240	8-Ø23

Note: We reserve the right to change content without notice.