

# JSV SERIES 50HZ

Submersible Vortex Sewage Pump



# JSV

## SERIES 50HZ

Submersible Vortex Sewage Pump

### Feature

- / Oil Chamber design to ensure Mech. Seal long service life
- / Suspended impeller design, non-clogging
- / E class insulation

### Application

- / Discharge water
- / Livestock production
- / Sprinkling
- / Sump pit

### Specifications

Liquid Temperature		0~40°C (32~104°F)
Submersible depth		10M
Motor Part	Frequency	50Hz
	Pole	2 Pole
	Type	Dry Motor
	Insulation	Class E
	Protection	IP 68
Pump Part	Protector	Auto-cut
	Bearing	Ball Type
	Mechanical seal	Dual. Mechanical Seal
	Impeller	Semi-Open



JSV-150/ 250

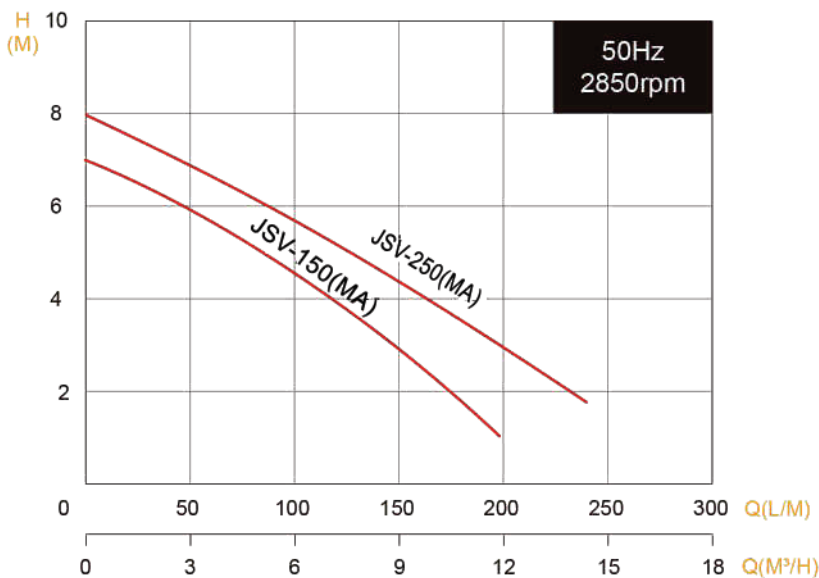


ABS+Glass Fiber Impeller



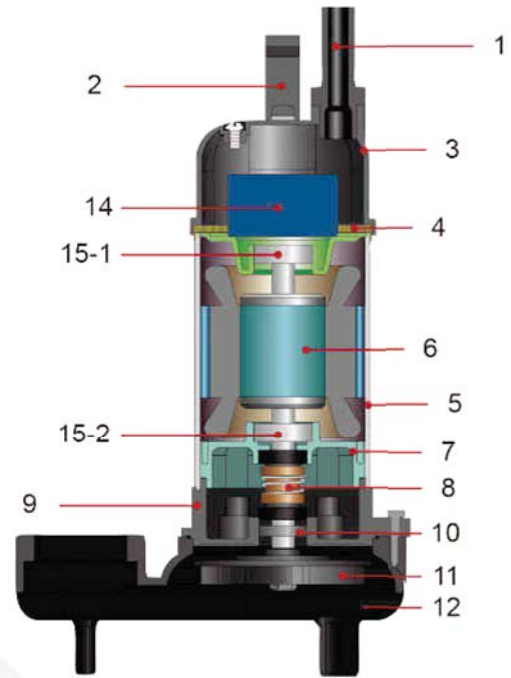
JSV-150MA/ 250MA

### Performance Curve



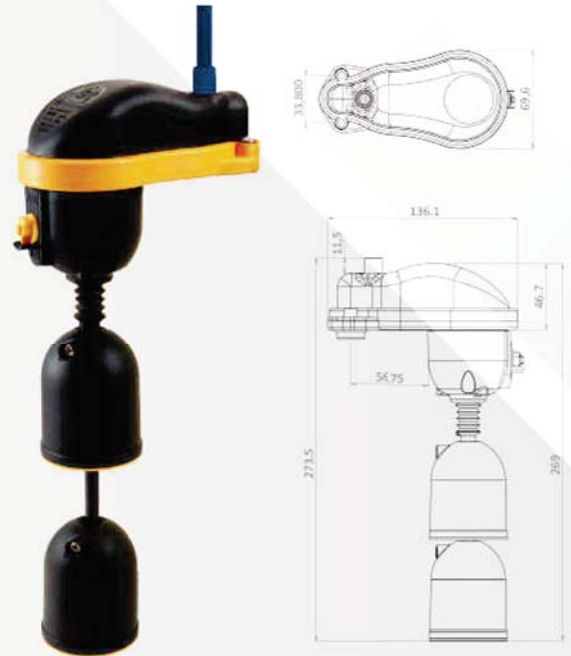
## Parts and Material List

No	Part	Material
1	Cable	H05RN-F/SJTOW
2	Handle	PA6
3	Motor Cover	PA66+Glass Fiber
4	Bracket	Steel
5	Motor Housing	SUS 304
6	Shaft with Rotor	SUS 410
7	Oil Chamber	FC 200
8	Double Mech. Seal	Upper : CA/CE Lower : CA/CE
9	Seal Housing	Nylon
10	Oil Seal	NBR
11	Impeller	ABS + Glass Fiber
12	Pump Casing	FC 200
14	Capacitor (Single phase only)	
15-1	Upper Bearing	NTN
15-2	Lower Bearing	NTN



## Mouse A level regulator

- \* Mouse A level regulator is a very useful instrument when used directly on pumps which must work in very small wells.
- \* Manufactured with no-toxic material dedicated to alimentary uses and designed for wiring and connection of all appliances and equipments such as:
  - drinkable water fountains
  - drinks and foodstuffs
  - aquarium
  - fishponds
  - swimming

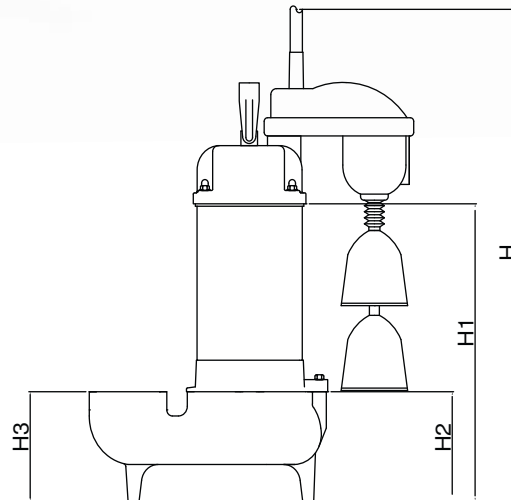
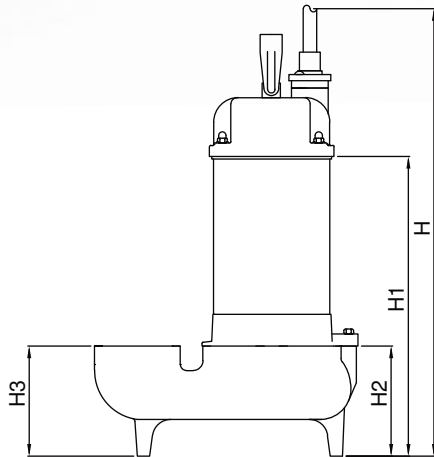
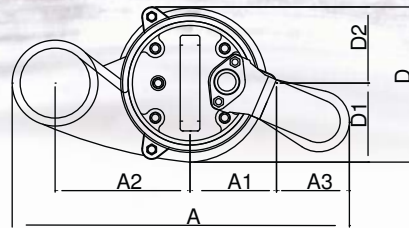
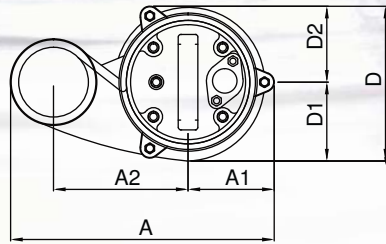


## Data Chart

Type	Output		Discharge Inch	F.L.A.		Rated		Maximum		Cable M	Free Passage mm	Weight kg
	HP	W		1ø 230V	3ø 400V	Head m	Cap. LPM	Head m	Cap. LPM			
JSV-150	0.2	150	1.5"(2")	1.6	-	4	110	7	180	5	24	7.2
JSV-150MA	0.2	150	1.5"(2")	1.6	-	4	110	7	180	5	24	7.5
JSV-250	0.3	250	1.5"(2")	2	-	4.5	140	8	230	5	25	7.4
JSV-250MA	0.3	250	1.5"(2")	2	-	4.5	140	8	230	5	25	7.7

» A identifies black float switch ; MA identifies Mouse A level regulator.

## JSV-Series Dimensions



MA : with Mouse A level regulator

### Dimensions (mm)

Type	A	A1	A2	D	D1	D2	A3	H	H1	H2	H3
JSV-150	213	83	90	130	63	67	--	314	235	81	81
JSV-150MA	300	83	90	63	63	--	72	350	235	81	81
JSV-250	228	83	110	130	63	67	--	324	245	91	91
JSV-250MA	300	83	110	63	63	--	72	360	245	91	91
JSV-150	213	83	90	130	63	67	--	324	245	81	81
JSV-250MA	300	83	90	210	63	--	72	360	245	81	81
JSV-250	228	83	110	130	63	67	--	334	255	91	91
JSV-250MA	300	83	110	210	63	--	72	370	255	91	91