



JMI - Simavis

Heavy Duty Construction Dewatering Pump



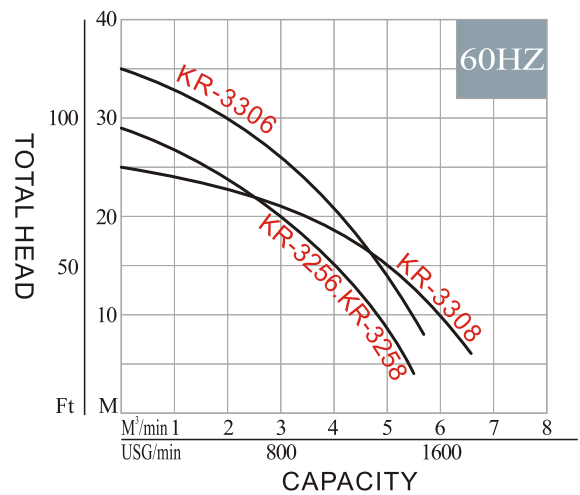
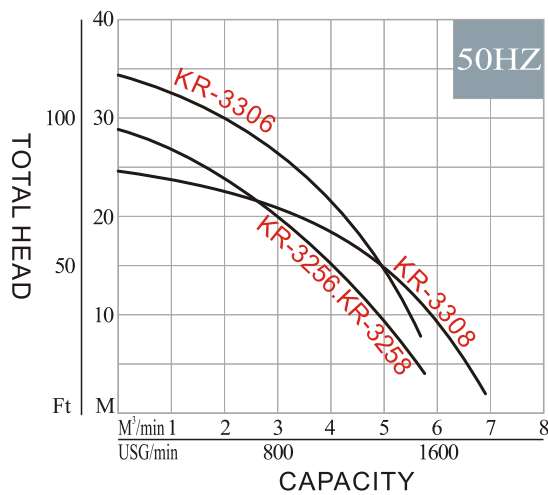
KR Series

KR Series



4-pole motor, high performance & large capacity, high/low head inter-changeable for handling extremely abrasive medias.

PERFORMANCE CURVES



SPECIFICATION

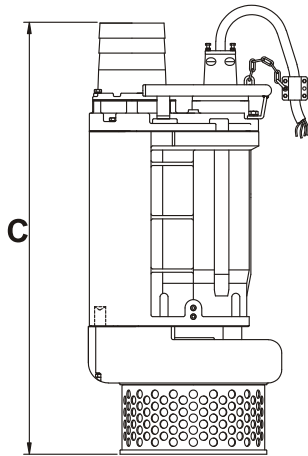
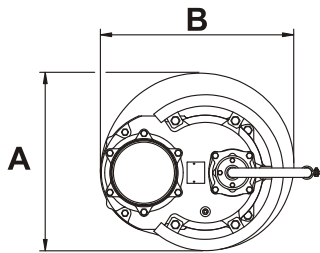
Type	Phase	Voltage	Power		Caliber		Pole	Std.Head	Std.Flow	Max.Head	Max.Flow	Weight	Solid Passage	Remark
TYPE	PH	VOLT	HP	KW	Inch	mm	P	M	M³/min	M	M³/min	KG	mm	REM
KR-3256	3Ø	220~440	25	19	6"	150	4P	20	3.0	29	5.5	395	30	
KR-3258	3Ø	220~440	25	19	8"	200	4P	15	4.0	29	5.5	395	30	
KR-3306	3Ø	220~440	30	22	6"	150	4P	30	2.0	35	5.5	410	30	
KR-3308	3Ø	220~440	30	22	8"	200	4P	15	5.0	25	6.5	410	30	

KR Series

APPLICATIONS

1. General construction & civil engineering application.
2. Tunnel & subway construction, mining and reclamation operation.
3. Deep-well pre-dewatering.

DIMENSIONS



Unit:mm

TYPE	A	B	C
KR-3256	535	580	1295
KR-3258	535	580	1295
KR-3306	535	580	1295
KR-3308	535	580	1295

PARTS LIST

		Caliber	150 / 200 mm
Liquid	Temperature		0°C~40°C (32°C~104°F)
	Application		The special construction, the bridge, the harbor, the river, the civil engineering drain off water using
	The lowest depth		▽10M
Pump	Structure	Impeller	Semi-open Impeller
		Seal	Dual Mechanical Seal
	Material	Upper Cover	FC-200
		Bearing	Heavy-duty bearing
		Impeller	HCR
		Volute Casing	FCD-500
		Motor Bracket	FC-200
		Suction Casing Cover	HCR
		Seal	Lubricant
Motor Side	Carbon / Ceramic		
Pump Side	SIC / SIC		
Motor	Type		Submersible dry type
	Insulation class		F class(155°C)
	Inner protector		Auto Reset Motor Protector
	Material	Casing	FC-200
		Main Shaft	SUS410

*Spare parts and material of pump could be made by request.

SECTIONAL DRAWING

