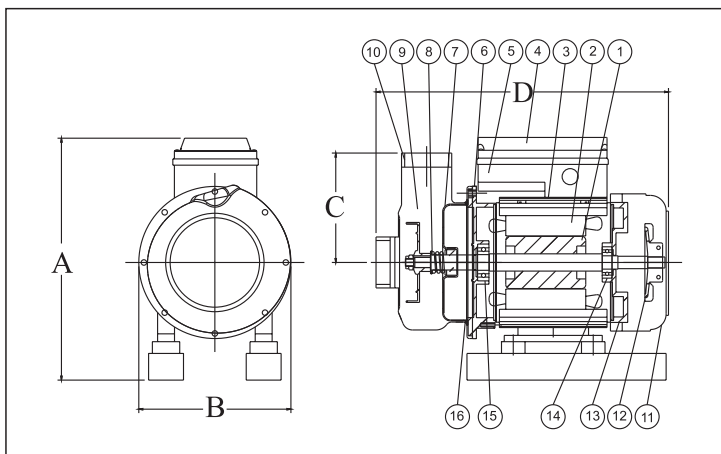


Horizontal Centrifugal Semi- Open Impeller Stainless Steel Pump

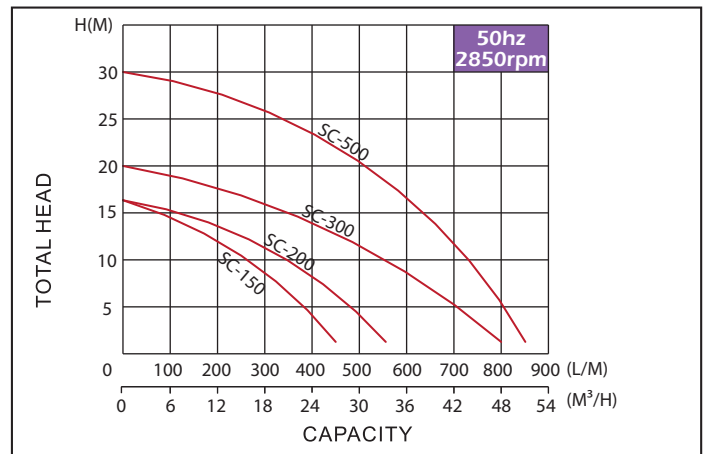


Stainless Staloper Impeller

Construction



Performance curve



Parts list

No.	Description	Material	Q'ty
1	Rotor & shaft	SUS304	1
2	Stator		1
3	Stator Housing	Aluminum	1
4	Terminal Box (upper)	ABS	1
5	Terminal Box (lower)	ABS	1
6	Front Endshield	Aluminum	1
7	Mid Plate	SUS 304	1
8	Mechanical Seal	SIC/SIC	1
9	Impeller	SUS 304	1
10	Pump Housing	SUS 304	1
11	Fan Cover	Steel	1
12	Fan	Nylon 66	1
13	Endshield	FC-00	1
14	Bearing		1
15	Bearing		1
16	O-Ring	VITON	1

Specifications

TYPE	POWER		DISCHARGE		VOLTAGE	MAXIMUM		DIMENSION (mm)				WEIGHT
	HP	KW	INCH	mm	50Hz	Head(M)	Q(LPM)	A	B	C	D	KG
SC-150	1.5	1.1	2	50	1PH/220V~240V or 3PH/380V~415V	16	450	268	194	138	373	13.5
SC-200	2	1.5	2	50		16	550	268	194	138	373	15.5
SC-300	3	2.2	3	80		20	800	275	218	146	485	24.5
SC-500	5	3.7	3	80		30	850	284	218	146	510	45