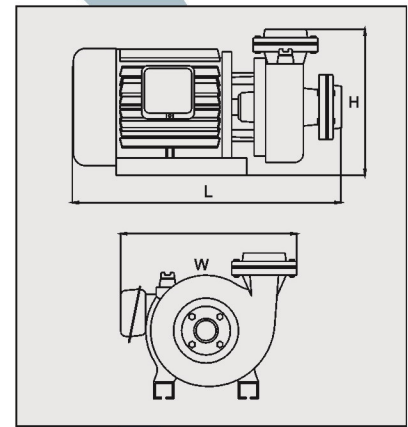
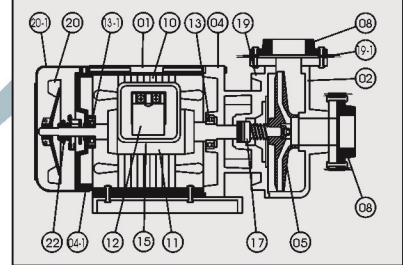


VC SERIES

Large Volume Centrifugal Pump



Constructions



No.	Description	Material
01	Motor casing	FC-20
02	Pump casing	FC-20
04	Bearing upper housing	FC-20
04-1	Bearing lower housing	FC-20
05	Impeller	BC-6
10	Stator	
11	Rotor & shaft	SUS 410
12	Capacitor	
13	Bearing	
13-1	Bearing	
15	Terminal box	Steel
17	Mechanical seal	CE/CA
19	O-Ring	NBR
20	Motor cooling fan	NYLON 66
20-1	Fan cover	Steel



Bronze Impeller

Feature:

- Aluminum motor housing.
- Light weight and superior heat dissipation.
- Back pull out construction.
- Assure easy maintenance and inspection.
- Colse-couple design for space saving.

Perormacne

TYPE	HP	DISCHARGE	TOTAL Head(M)					CAPACITY Q(LPM)				
			10M	15M	20M	25M	30M	35M	40M	45M	50M	
VC-0532	1/2	1"X1"	100	50								
VC-1032	1	1-1/2"X1-1/2"	210	160								
VC-2032	2	2"X2"	360	280	210							
VC-3032	3	2-1/2"X2-1/2"	700	510	330							
VC-5032	5	3"X3"	1000	900	760	610						
VC-7532	7.5	4"X4"	1300	1150	910	720						
VC-10032	10	4"X4"	1390	1320	1200	990	780					
VC-15032	15	4"X4"	1650	1600	1500	1260	990	900	810	710		
VC-20032	20	4"X4"	1810	1790	1750	1680	1600	1300	990	900	810	

Specifications

TYPE	POWER		DISCHARGE		VOLTAGE	MAXIMUM		DIMENSION			WEIGHT
	HP	KW	INCH	mm		Head(M)	Q(LPM)	H(mm)	L(mm)	W(mm)	
VC-0532	1/2	0.4	1"	25	3PH/380V-415V	18	130	220	350	220	17
VC-1032	1	0.75	1-1/2"	40		20	250	250	420	250	29
VC-2032	2	1.5	2"	50		23	420	260	435	270	37
VC-3032	3	2.2	2-1/2"	65		24	800	290	470	330	47
VC-5032	5	3.7	3"	80		28	1150	310	510	350	59
VC-7532	7.5	5.5	4"	100		30	1400	330	560	390	75
VC-10032	10	7.5	4"	100		35	1500	340	590	410	95
VC-15032	15	11	4"	100		45	1700	410	720	490	145
VC-20032	20	15	4"	100		55	1900	460	720	490	160

Performance curve

