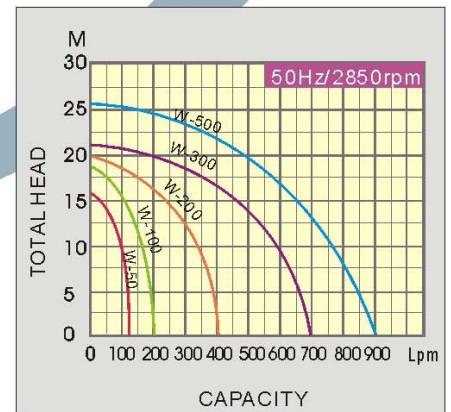


# W SERIES

Cast-iron Centrifugal Pump



Performance curve

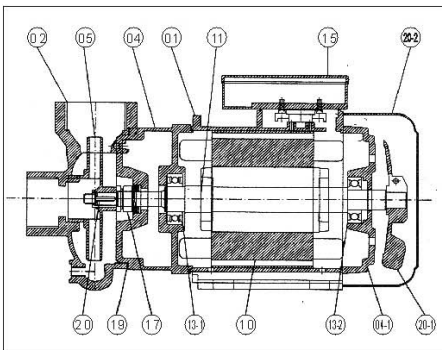


Stainless steel Impeller

**Feature:**

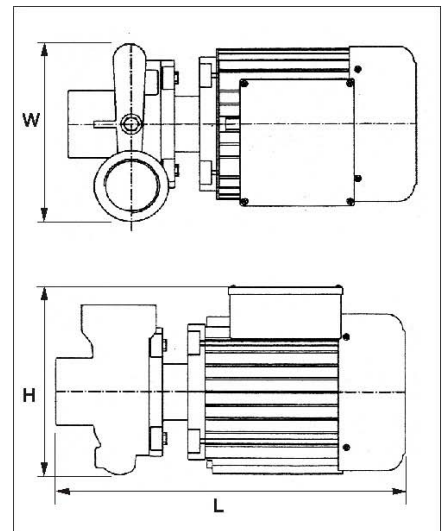
- Aluminum motor housing.
- Back pull out construction.

**Constructions**



No.	Description	Material
01	Motor casing	Aluminum/FC-20
02	Pump casing	FC-20
04	Bearing upper cover	FC-20
04-1	Bearing lower cover	FC-20
05	Impeller	SUS 304
10	Stator	
11	Rotor & shaft	SUS 410
12	Capacitor	
13-1	Bearing	
13-2	Bearing	
15	Terminal box	ABS/Steel
17	Mechanical seal	CE/CA
19	O-Ring	NBR
20	Key	SUC 304
20-1	Motor colling fan	NYLON 66
20-2	Fan cover	Steel

**Dimensions**



**Specifications**

TYPE	POWER		DISCHARGE		VOLTAGE	MAXIMUM		DIMENSION			WEIGHT
	HP	KW	INCH	mm	50Hz	Head(M)	Q(LPM)	H(mm)	L(mm)	W(mm)	KG
W-50	1/2	0.4	1"	25	1PH/220V~240V 3PH/380V~415V	16	120	200	340	160	13
W-100	1	0.75	1.5"	40		18	200	220	400	220	19
W-200	2	1.5	2"	50		20	400	240	420	250	22
W-300	3	2.2	3"	80		22	700	270	440	270	45
W-500	5	3.7	3"	80		26	900	300	460	290	68